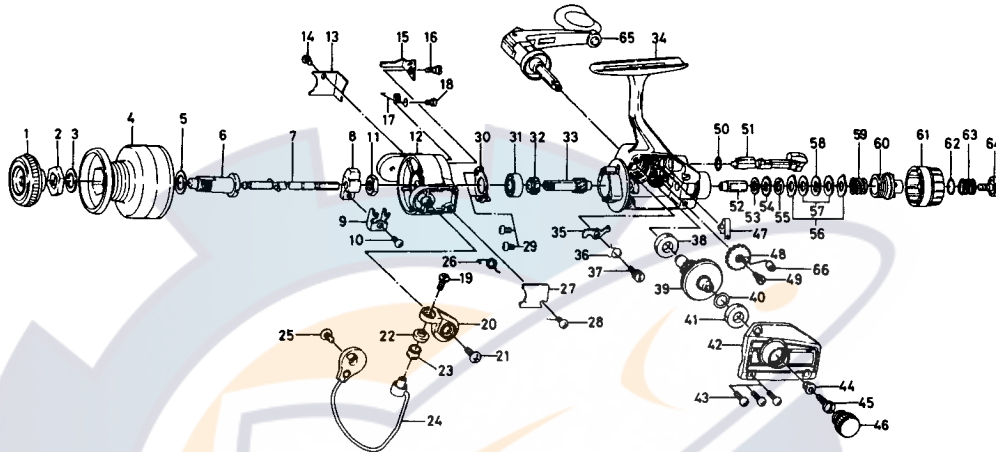


SPINNING REEL MS750(MS4)



| Key No. | Parts No. | Parts Name | Key No. | Parts No. | Parts Name |
|---------|-----------|--------------------------------|---------|-----------|---------------------------|
| 1 | B59-4201 | Spool cap | 39 | B59-2001 | Drive gear |
| 2 | B59-3801 | Spool metal holding plate | 40 | 375-8500 | Drive gear washer |
| 3 | B60-1801 | Spool washer A | 41 | 636-6611 | Bearing |
| 4 | B90-1001 | Spool | 42 | B84-8302 | Body cover |
| 5 | 371-4902 | Spool washer B | 43 | 351-7801 | Body cover screw |
| 6 | B59-3901 | Spool metal | 44 | 501-8501 | Handle screw holder |
| 7 | B59-2101 | Main shaft | 45 | 363-8511 | Handle screw |
| 8 | B59-2301 | Oscillating slider | 46 | B03-4805 | Handle screw cap |
| 9 | B59-2401 | Oscillating slider retainer | 47 | B58-8601 | Anti-reverse cam spring |
| 10 | 350-8913 | Oscillating slider screw | 48 | B59-1701 | Oscillating gear |
| 11 | 342-4001 | Rotor nut | 49 | B59-1801 | Oscillating gear screw |
| 12 | B59-0305 | Rotor | 50 | B58-8501 | Anti-reverse lever washer |
| 13 | B59-1301 | Bail kick lever cover | 51 | B58-0603 | Anti-reverse lever |
| 14 | 351-0901 | Bail kick lever cover screw | 52 | B58-8301 | Drag washer holder |
| 15 | B59-1001 | Bail kick lever | 53 | B58-9101 | Drag washer A |
| 16 | B59-1101 | Bail kick lever screw | 54 | B59-4501 | Click gear |
| 17 | B59-1201 | Bail kick lever spring | 55 | B58-9103 | Drag washer B |
| 18 | 353-8402 | Bail kick lever spring screw | 56 | B58-9501 | Drag washer C |
| 19 | 352-2501 | Bail screw | 57 | B58-9601 | Drag washer D |
| 20 | B59-0701 | Arm lever | 58 | B58-9701 | Drag washer E |
| 21 | 352-9501 | Arm lever screw | 59 | B58-9801 | Drag washer spring |
| 22 | B45-1601 | Roller collar | 60 | B58-9901 | Drag screw |
| 23 | 250-3921 | Line roller | 61 | B74-0901 | Drag knob |
| 24 | B74-1701 | Bail | 62 | B55-3801 | Drag knob washer |
| 25 | 352-9501 | Bail holder screw | 63 | B60-2201 | Drag knob spring |
| 26 | B65-9201 | Bail spring | 64 | B60-5601 | Drag knob screw |
| 27 | B59-0901 | Bail spring cover | 65 | B90-0301 | Handle |
| 28 | 351-0901 | Bail spring cover screw | 66 | B59-1901 | Oscillating collar |
| 29 | 351-0903 | Ball bearing ret. washer screw | | | |
| 30 | B58-9001 | Ball bearing ret. washer | | | |
| 31 | B18-1601 | Ball bearing | | | |
| 32 | B58-8801 | Ratchet | | | |
| 33 | B58-8701 | Pinion gear | | | |
| 34 | B84-8202 | Body | | | |
| 35 | B58-9201 | Anti-reverse claw | | | |
| 36 | B58-9301 | Anti-reverse claw spring | | | |
| 37 | B58-9401 | Anti-reverse claw screw | | | |
| 38 | 636-6611 | Bearing | | | |